



Range of Jaw crushers



ROC jaw crusher reliability

Roc Impact jaw crushers are widely used in mines and quarries around the world and have earned a reputation for being tough and reliable.

The ROC model comes with larger feed openings and longer jaws with bigger crushing strokes. It is mainly intended for primary crushing of pebbles, hard minerals, granite and recycling materials.

Thanks to their simple design and rugged construction, ROC jaw crushers are effective and economical for crushing large size bastard rock in quantity.

We offer a wide range of jaw crushers of various sizes to suit your needs.

Reliable and tough

Jaws and side liners made of manganese steel. Frame made of welded refined steel.

Efficient and economical

Wide feed opening and a sizeable crushing stroke blocks for large size blocks in quantity.

Quick and simple adjustment

Equipped with a hydraulic cylinder with a shim adjustment system.

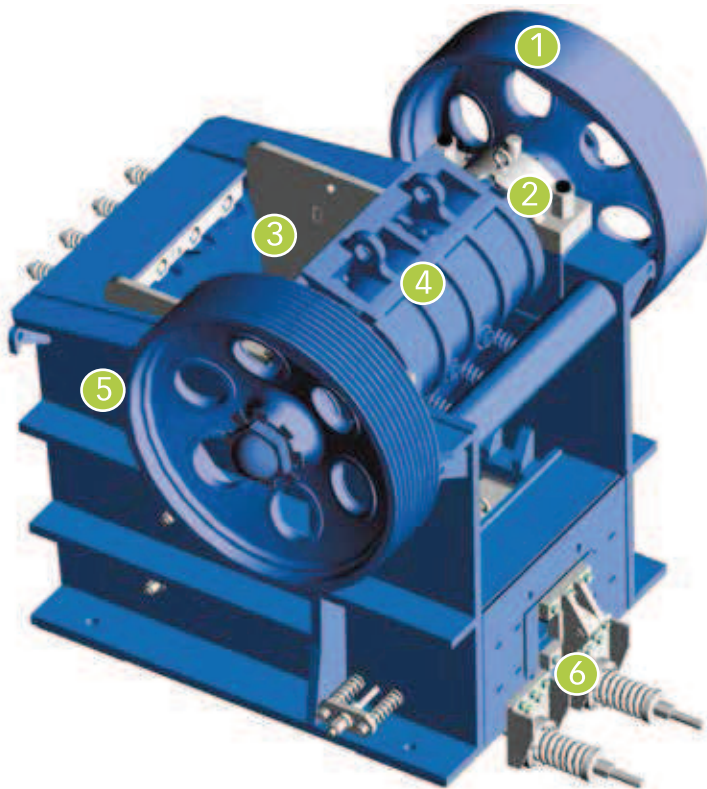
Capacity: 26-850 t/h

Closed side of the discharge opening from 50 to 300 mm.

Range of Jaw crushers



Parts of a ROC jaw crusher



1 FLYWHEEL :

The two flywheels are made from cast iron and a counterweight limits vibrations. A tapered shaft allows easy removal of the flywheels.

2 MAIN BEARING :

The spherical roller bearings are lubricated by special lubricated system in order to support a heavy load and increase service life.

3 JAWS & SIDE LINERS :

The jaws and side liners are made of cast manganese steel, ensuring a long service life.

4 MAIN SHAFT :

The main shaft is made of a nickel and chromium alloy which allows the steel to absorb the friction energy.

5 FRAME :

The frame's reinforced metal construction and heat treatment after welding provide a strong and rigid structure.

6 SETTINGS ADJUSTMENT :

A complete semi-hydraulic system makes it quick and easy to adjust control settings.

ARTICULATED SUPPORT AND RETURN ROD

Spherical contact between the toggle plate and return rods.

CONNECTING ROD

The cast iron connecting rod solves vibration issues.

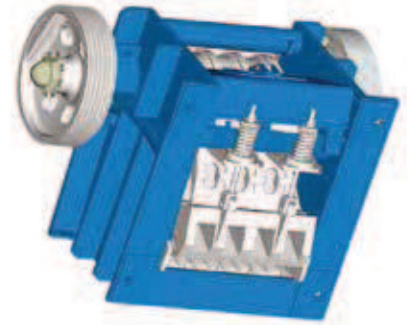


Range of Jaw crushers



Grease bearings

All ROC jaw crushers are built with top-quality bearings and roller bearings. Centralized lubrication makes maintenance easy.



Hydraulic adjustment

ROC jaw crushers have a hydraulic cylinder with a shim adjustment system.

Adjustments to the jaw discharge opening are quick and easy. Downtime is minimized, and production requirements are met to the greatest possible extent (upon request).

Safety mechanism:

ROC jaw crushers work by applying a compressive force exerted as the connecting rod moves forward and backward. The rod is attached at the top to an eccentric shaft, and supported at the base by a hinge support. Designed for safety, the toggle plate, seat and block provide complete protection from any uncrushable material, and ensure that the nip angle is properly maintained.

Range of Jaw crushers



High crushing capacity

Roc jaw crushers have deep crushing cavities with a steep crushing angle.

A solid frame

The frame is made of welded steel and the jaw crusher base is stabilized. Heavy-duty reinforcements are used at high-stress points.





Range of Jaw crushers

Single toggle jaw crushers Type

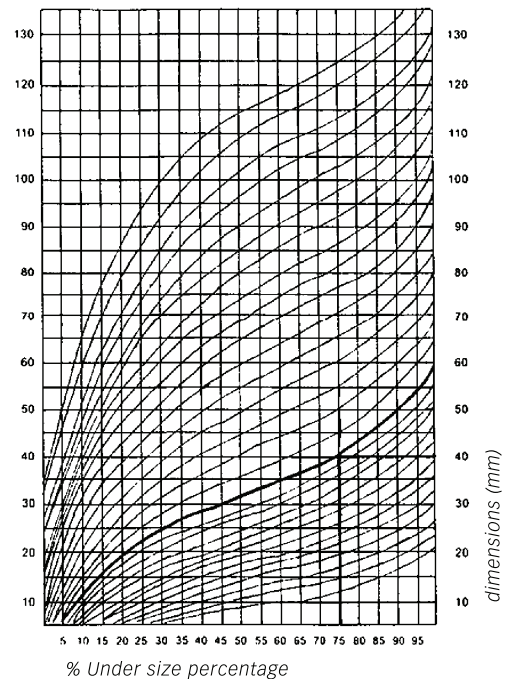
With larger feed openings and bigger crushing strokes, the ROC IMPACT ROC type Jaws are suitable for crushing big size lumps in large quantity. They are especially recommended for primary crushing of limestones, river stones, graint, and concrete recycling, for a very long life.

From the welded steel frame to the rugged eccentric shaft, the ROC type Jaws are built with brute strength with quality bearings. Some useful specification on the ROC IMPACT ROC type jaws comes as follows:

Models	feed opening	R.P.M.	Motor power (kw)	Crushing capacity - Tons/Hr										
				Closed side discharg opening - mm										
				50	70	80	100	125	150	200	225	250	300	
ROC 06.04	600 x 400	275	30	26	38	45	60	75						
ROC 07.05	750 x 500	250	55	40	60	70	90	112	130					
ROC 09.06	900 x 600	250	75			105	130	160	182					
ROC 11.08	1100 x 800	230	110				190	210	237	350				
ROC 12.09	1200 x 900	230	132				210	250	280	320	350			
ROC 12.10	1200 x 1000	200	160					265	302	370	402			
ROC 13.08	1350 x 800	200	200				250	300	340	420	450			
ROC 13.11	1300 x 1150	200	250						450	550	650	750		
ROC 15.12	1500 x 1200	200	350						550	650	750	800	850	



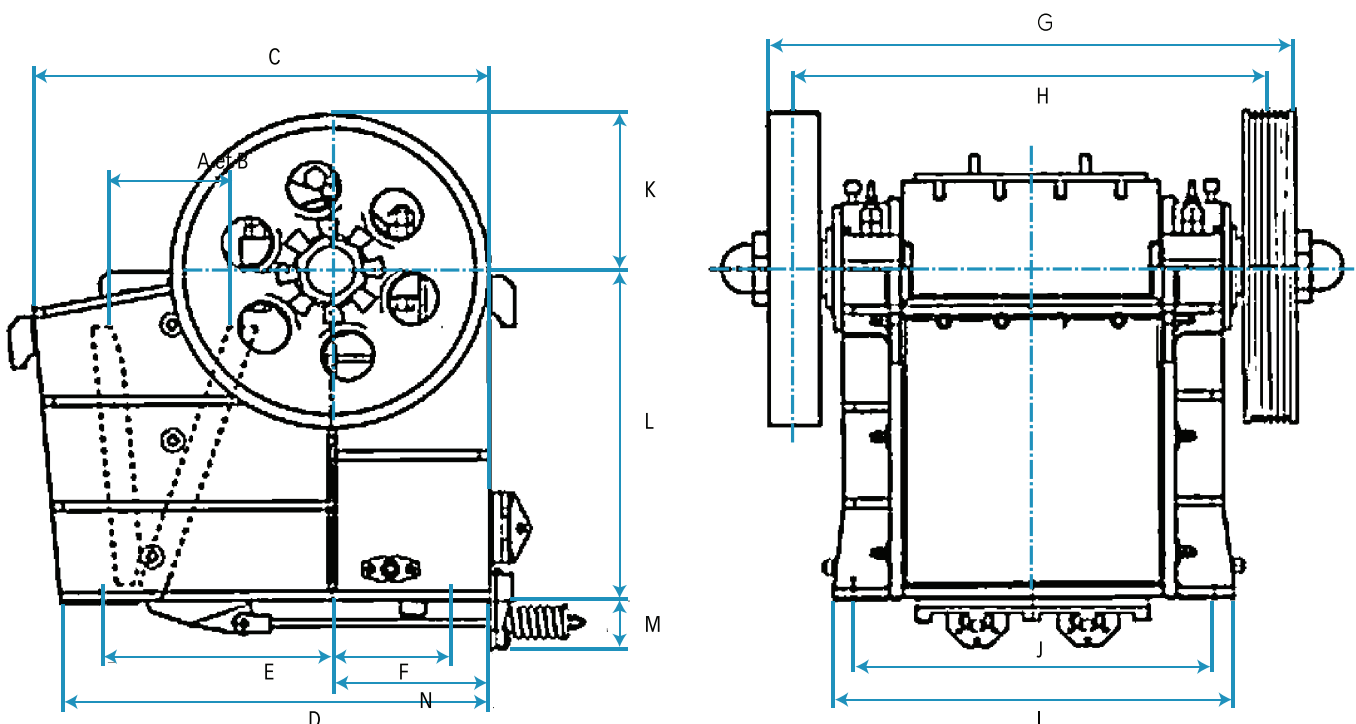
Capacity based on a continuous and regular supply of clean, dry material of standard hardness with a bulk density of 1.6 tons/m³. Capacity may vary depending on the size and nature of the rock and the operating conditions of the plant.



General dimensions of ROC type jaw crusher

The table below is a summary of general dimensions of ROC IMPACT standard ROC type Jaw Crushers in metric system. As a reminder, the information is for reference only, not for actual installation work.

Dimens. (mm)	Models								
	ROC 06.04 9 000 kg	ROC 07.05 12 000 kg	ROC 09.06 16 000 kg	ROC 11.08 28 000 kg	ROC 12.09 48 000 kg	ROC 12.10 50 000 kg	ROC 13.08 34 000 kg	ROC 13.11 78 000 kg	ROC 15.12 82 000 kg
A	600	750	900	1 060	1 200	1 200	1 350	1 300	1 500
B	400	500	600	750	800	1 000	800	1 150	1 200
C	1 550	1 660	1 910	2 280	2 460	2 950	2 400	2 950	3 520
D	1 462	1 562	1 793	2 319	2 319	2 765	2 259	2 765	3 260
E	770	870	990	1 190	1 370	1 540	1 310	1 540	1 890
F	390	390	400	450	450	620	450	620	670
G	1 524	1 708	2 036	2 456	2 356	2 948	2 806	3 248	3 532
H	1 330	1 510	1 800	2 110	2 310	2 580	2 460	2 880	3 120
I	1 080	1 270	1 510	1 750	1 900	2 040	2 050	2 340	2 450
J	970	1 150	1 360	1 550	1 770	1 820	1 850	2 120	2 220
K	485	601	671	711	711	994	711	994	1 044
L	1 160	1 270	1 515	1 820	1 820	2 350	1 820	2 350	2 920
M	175	180	235	260	260	330	260	330	390
Weight (Kg) Approx.	9000	12000	16000	28000	48000	50000	34000	78000	82000



All these dimension are indicated only as general information.